

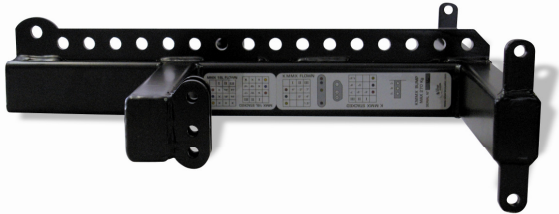


french**sound**design

www.silveracoustic.com

MiniMaX Series

MMX BUMP



- *Flying and stacked frame for MiniMaX series*
- *BGV-C1 certification for rigging up to 370 Kg*
- *Made in FRANCE*
- *Ultra compact & lightweight*

The MMX BUMP is specially designed for ground stacked and flown configuration of the Minimax series. This allows various setups in flown or stacked configuration such as :

- *Vertical array of a maximum of 18 MMX 6L boxes under the MMX BUMP*
- *Vertical array of a maximum of 6 MMX 18L boxes under the MMX BUMP*
- *Vertical array of a MMX 6L / MMX 18L combination certified for up to 16 MMX 6L and 2 MMX 18L combination under the MMX BUMP*
- *Vertical array of a maximum of 5 MMX 212B boxes under the MMX BUMP*
- *Vertical array of a MMX 6L / MMX 212B combination certified for up to 6 MMX 6L and 2 MMX 212B combination under the MMX BUMP*
- *Stacking of a maximum of 9 MMX 6L boxes onto the MMX BUMP*
- *Stacking of a maximum of 6 MMX 18L boxes onto the MMX BUMP*
- *Stacking of a MMX 6L / MMX 212B combination certified for up to an overall height of 1,72 m (67,71'') onto a MMX BUMP.*

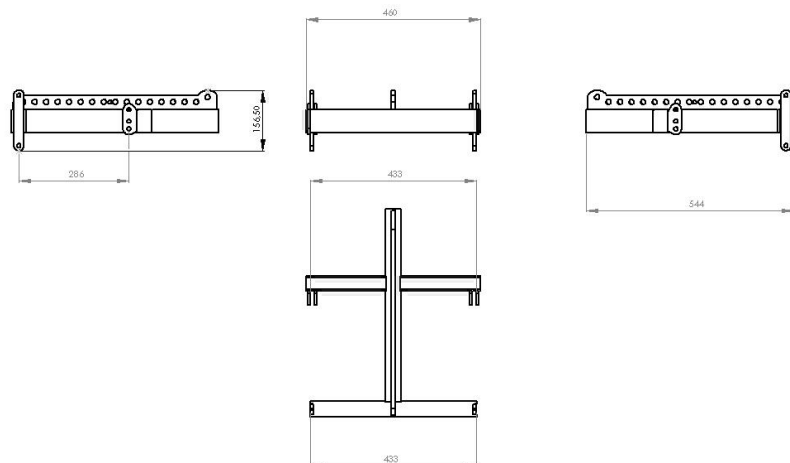
Dimensions

Height : 156,5 mm / 6.16 in

Width : 460 mm / 18.11 in

Depth : 544 mm / 21.41 in

Weight : 9 Kg / 19.84lbs



Specifications

Materiel : DC01 AMO

Finish : Powder coat

Color : black

Working load limit : 370 Kg
(601.86 lbs)

SILVER ACOUSTIC - ZI - 250, rue de la Marbrerie - 34740 Vendargues, France

www.silveracoustic.com - info@silveracoustic.com